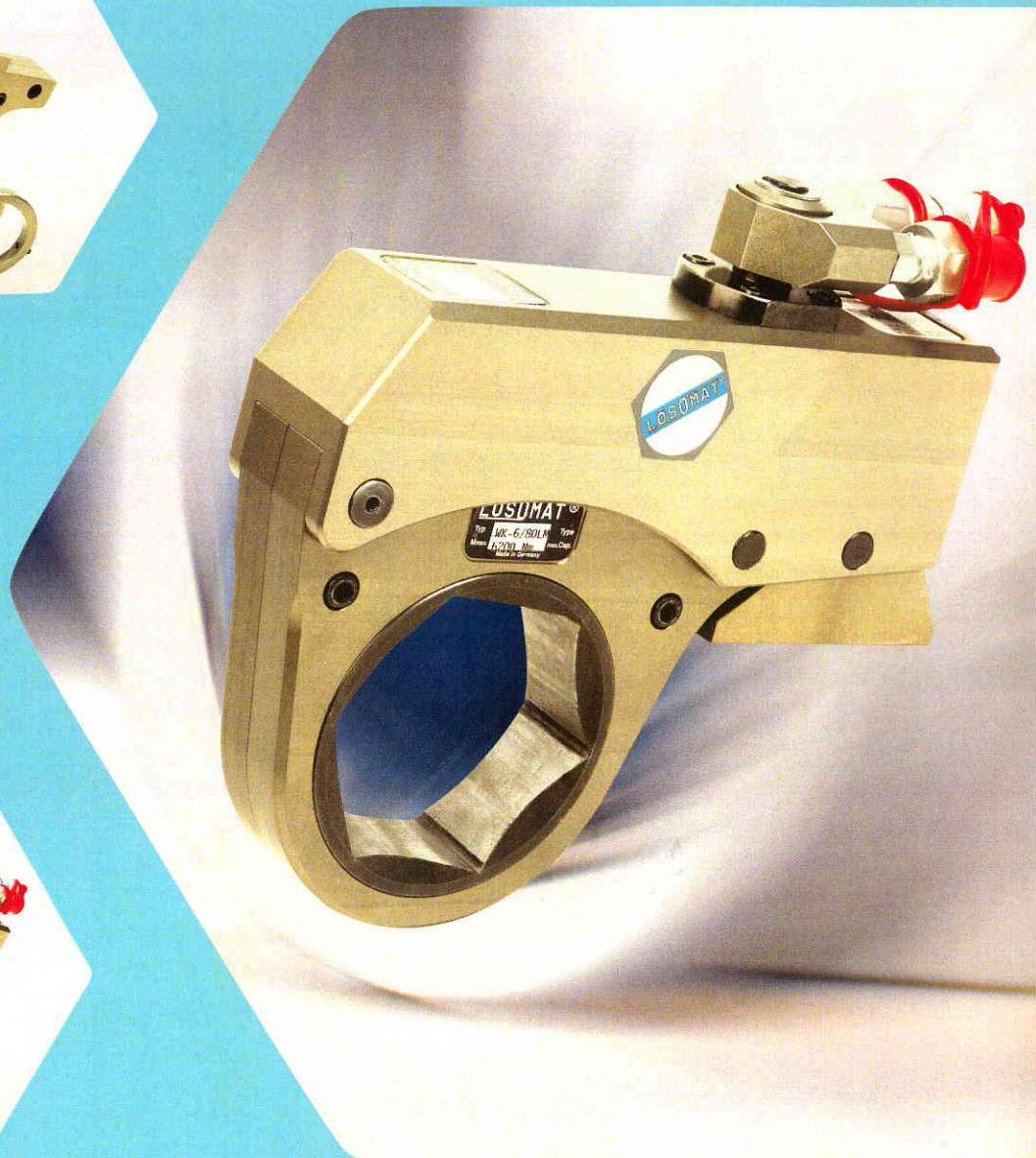
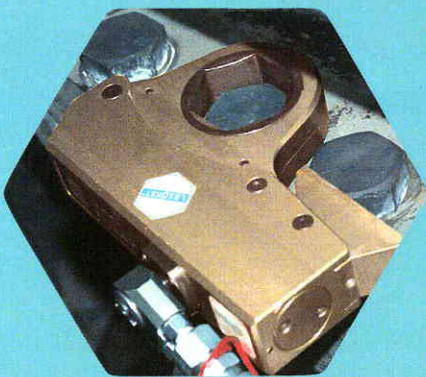


LÖSOMAT HIGH TORQUE HYDRAULIC WRENCHES

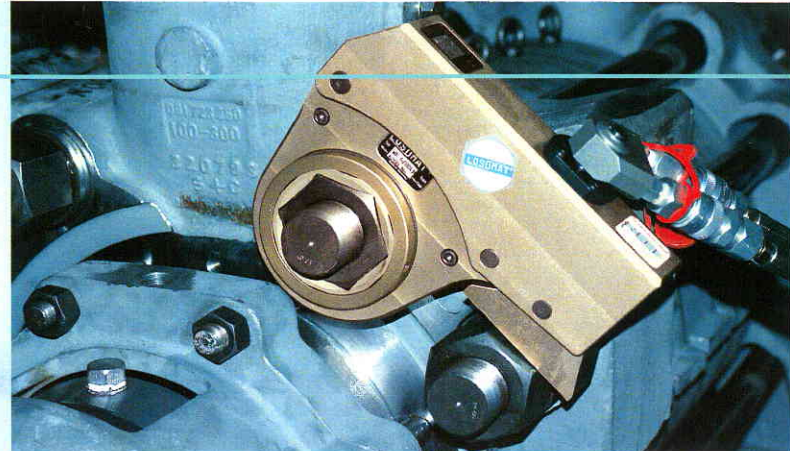


LDK Series



... extremely light and compact with hexagonal exchange cassettes, problemfree loosening and precise tightening, even in the tightest of spaces.

HYDRAULIC HIGH TORQUE CASSETTE WRENCHES LDK Series

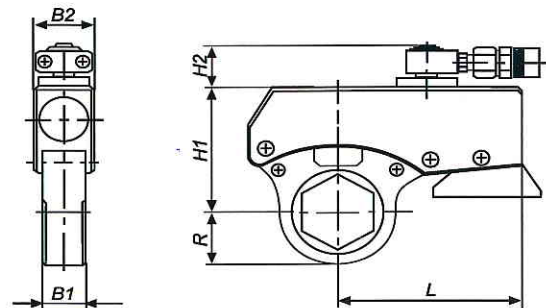


Hydraulic wrenches from the LDK series are marked by the following special features



- Maximum torque combined with minimum dimensions
- The best torque/weight ratio of its kind
- From extra light special alloy - robust and economical in use
- Pressure bolt technique for a simple shift from tightening to loosening
- Hydraulic connection can be rotated through 360° - even in operation
- Hydraulic connection with integrated overload safety valve
- Hexagonal reducer can be safely locked with the holding ring in the exchange cassette
- Special versions are possible

Tight spaces can become problem spaces. In this kind of situation, the LDK Series from LÖSOMAT is just right. The flat hexagonal cassettes are optimised for the smallest radius and headroom. They create the basic requirement for speedy work, without any bottlenecks. Their use with inexpensive hexagonal adapters, or with internal/external hexagonal impact sockets for various bolts a/f, is extremely economical. The 30° stroke allows for extremely fast loosening or tightening on all bolt connections.



Technical details

Type		LDK-3	LDK-6	LDK-12	LDK-24
Max. torque ** (approx.)	Nm	3300	6200	12500	24000
Exchange cassette (WK) a/f	mm	32 - 60	41 - 80	55 - 100	80 - 130
Exchange cassette (WK) a/f	inch	1¼" - 2¾"	1½" - 3⅜"	2¾" - 3¾"	3⅜" - 5"
Weight complete with WK *	kg	2	3,3	5,3	13,3
L	mm	135	156	200	260
H1	mm	91 / 103	115 / 130	141 / 156	182 / 212
B2	mm	40	50	65	82
B1	mm	28	35	47	56
R	mm	28 - 48	34 - 59	46 - 73	62 - 96
H2	mm	38	38	38	50

Details are unbinding, deviations are possible.
Made in Germany

* Fully ready for operation.
** At 800 bar

Subject to alterations!