



# *Drills & Specialty Tools*

Drills .....	131	Dynadie® III .....	137
Stockade Filer .....	135	Router .....	137
Stockade Sander and Saw .....	136	Dynascalor .....	138



***Continued Leadership In Portable Abrasive Power Tool Technology***

***[www.dynabrade.com](http://www.dynabrade.com)***

# Drills

## Air-Powered Drills, Angle Head and Right Angle

**ABRASIVE CAPACITY**  
**THREADED DRILL BITS & ACCESSORIES**  
 1/4"-28 thread

Industrial-Quality Drills in a Variety of Configurations

### Angle Head, .4 hp, Rear Exhaust

#### Model 53455 950 RPM

- Accepts 1/4"-28 threaded drill bits, sold separately.
- Angle height of only 1".
- Ideal tool for running optional 3M "SR Cutter," a plastic cutting accessory (shown). This is an efficient system for seam sealant removal, with no damage to substrate.
- Standard muffler; optional safety-lock lever available.



Right: 53455 Drill powers optional 3M "SR Cutter" accessory for fast, aggressive removal of seam sealant.



Motor Tune-Up Kits will extend the life of an air tool when used with a preventative maintenance schedule.

### Angle Head, .4 hp, Rear Exhaust

#### Model 53430 3,200 RPM

- Accepts 1/4"-28 threaded drill bits, sold separately.
- Angle height of only 1".
- External muffler design; optional safety-lock lever available.



### Right Angle, .4 hp, Rear Exhaust

#### Model 53435 3,200 RPM

- Accepts 1/4"-28 threaded drill bits, sold separately.
- Angle height of 2-1/4".
- Standard muffler; optional safety-lock lever available.



Dynaswivel® air line connector is ideal for use with most air tools. The Dynaswivel® improves tool maneuverability, minimizes operator fatigue and extends hose life. (See page 163.)



SR Cutter is registered trademark of 3M Company.

Model Number	Motor hp (W)	Motor RPM	Sound Level	Maximum Air Flow SCFM (LPM)	Hose I.D. Size Inch (mm)	Air Inlet Thread	Spindle Thread	Weight Pound (kg)	Length Inch (mm)	Height Inch (mm)
53430	.4 (298)	3,200	83 dB(A)	23 (650)	1/4 (6)	1/4" NPT	1/4"-28 Female	1.9 (.9)	11-3/8 (289)	1-5/8 (40)
53435	.4 (298)	3,200	80 dB(A)	21 (595)	1/4 (6)	1/4" NPT	1/4"-28 Female	1.9 (.9)	7 (178)	2-1/4 (57)
53455	.4 (298)	950	82 dB(A)	23 (663)	1/4 (6)	1/4" NPT	1/4"-28 Female	2.1 (.9)	11-1/8 (282)	2-3/4 (70)

Tune-Up Kits: 53430 and 53455 - No. 96333; 53435 - No. 96179 (page 192) • Additional Specifications: Air Pressure 90 PSIG (6.2 Bar)



# Drills

## Air-Powered Drills, 1/4" Chuck

ABRASIVE  
CAPACITY

### DRILL BITS & ACCESSORIES

1/4" (6 mm) dia. maximum

### Industrial-Quality Drills in a Variety of Configurations

#### Straight Line, .4 hp, Rear Exhaust

- Each model includes 1/4" drill chuck and key.
- Extended muffler design for reduced sound levels.

**Model 53077** 950 RPM

**Model 53078** 3,200 RPM

**Model 53079** 5,000 RPM



Model 53077

13141  
Handle/Collar Assembly  
Sold Separately

#### 7° Offset, .4 hp, Rear Exhaust

- Each model includes 1/4" drill chuck and key.
- Extended muffler design for reduced sound levels.

**Model 53072** 950 RPM

**Model 53073** 3,200 RPM

**Model 53074** 5,000 RPM



Model 53072



Motor Tune-Up Kits  
will extend the life of  
an air tool when used  
as part of a preventative  
maintenance schedule.  
(See page 192.)

#### Right Angle, .4 hp, Front Exhaust

- Each model includes 1/4" drill chuck and key.

**Model 51846** 12,000 RPM

**Model 51847** 15,000 RPM

**Model 51848** 20,000 RPM

#### Right Angle, .4 hp, Rear Exhaust

- Each model includes 1/4" chuck and key.
- Standard muffler design.

**Model 53046** 12,000 RPM

**Model 53047** 15,000 RPM

**Model 53048** 20,000 RPM



Model 53046

#### Straight Line, .5 hp, Front Exhaust

**Model 53037** 20,000 RPM

- Includes 1/4" drill chuck and key.



Model 53037

Model Number	Motor hp (W)	Motor RPM	Sound Level	Maximum Air Flow SCFM (LPM)	Hose I.D. Size Inch (mm)	Air Inlet Thread	Spindle Thread	Weight Pound (kg)	Length Inch (mm)	Height Inch (mm)
51846	.4 (298)	12,000	85 dB(A)	21 (595)	1/4 (6)	1/4" NPT	3/8"-24 Male	1.1 (0.5)	5-1/2 (140)	4 (101)
51847	.4 (298)	15,000	84 dB(A)	21 (595)	1/4 (6)	1/4" NPT	3/8"-24 Male	1.1 (0.5)	5-1/2 (140)	4 (101)
51848	.4 (298)	20,000	89 dB(A)	21 (595)	1/4 (6)	1/4" NPT	3/8"-24 Male	1.1 (0.5)	5-1/2 (140)	4 (101)
53037	.5 (373)	20,000	87 dB(A)	27 (765)	3/8 (10)	1/4" NPT	3/8"-24 Male	1.5 (.7)	7 (178)	1-3/4 (44)
53046	.4 (298)	12,000	86 dB(A)	21 (595)	1/4 (6)	1/4" NPT	3/8"-24 Male	1.1 (.5)	5-3/4 (146)	4 (101)
53047	.4 (298)	15,000	86 dB(A)	21 (595)	1/4 (6)	1/4" NPT	3/8"-24 Male	1.1 (.5)	5-3/4 (146)	4 (101)
53048	.4 (298)	20,000	87 dB(A)	21 (595)	1/4 (6)	1/4" NPT	3/8"-24 Male	1.1 (.5)	5-3/4 (146)	4 (101)
53072	.4 (298)	950	79 dB(A)	22 (623)	1/4 (6)	1/4" NPT	3/8"-24 Male	2.2 (1.0)	8 (203)	6-3/4 (171)
53073	.4 (298)	3,200	80 dB(A)	22 (623)	1/4 (6)	1/4" NPT	3/8"-24 Male	2.1 (0.9)	8 (203)	5-1/2 (141)
53074	.4 (298)	5,000	78 dB(A)	22 (623)	1/4 (6)	1/4" NPT	3/8"-24 Male	2.1 (0.9)	8 (203)	5-1/2 (141)
53077	.4 (298)	950	82 dB(A)	22 (623)	1/4 (6)	1/4" NPT	3/8"-24 Male	1.8 (.8)	10-1/2 (267)	1-5/8 (40)
53078	.4 (298)	3,200	81 dB(A)	22 (623)	1/4 (6)	1/4" NPT	3/8"-24 Male	1.8 (.8)	10-1/2 (267)	1-5/8 (40)
53079	.4 (298)	5,000	84 dB(A)	22 (623)	1/4 (6)	1/4" NPT	3/8"-24 Male	1.8 (.8)	10-1/2 (267)	1-5/8 (40)

Tune-Up Kits: 51846-51848, 53046-53048 - No. 96179; 53037 - No. 95600; 53072-53074 - No. 96174; 53077-53079 - No. 96173 (page 192)

Additional Specifications: Air Pressure 90 PSIG (6.2 Bar)



# Drills

## Air-Powered Drills, 3/8" Chuck

**ABRASIVE CAPACITY**  
**DRILL BITS & ACCESSORIES**  
 3/8" (10 mm) dia. maximum



Industrial-Quality Drills in a Variety of Configurations

**Pistol Grip, .7 hp, Rear Exhaust**

- Each model includes 3/8" drill chuck and key.
- High-torque air motor; slow-speed startup trigger.
- Rubber insulated grip and removable side handle.

- Model 53091** 950 RPM
- Model 53060** 3,400 RPM
- Model 53095** 4,500 RPM
- Model 53096** 20,000 RPM




 Dynaswivel® air line connector is ideal for use with most air tools. The Dynaswivel® improves tool maneuverability, minimizes operator fatigue and extends hose life. (See page 163.) 

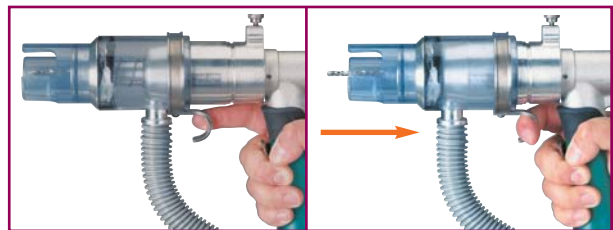
**7° Offset .4 hp, Rear Exhaust, Self-Generated Vacuum**

- Each model includes 3/8" drill chuck and key.
- Self-generated vacuum tool includes 50682 exhaust hose (6' long) and 50683 reusable cloth bag. As tool is run, dust and debris are diverted through hose and into bag.
- Vacuum shroud retracts to allow full view of work surface.
- Convenient trigger mechanism allows easy one-hand operation of drill.
- Ideal for rivet work, aluminum and aviation applications.

- Model 53200** 3,200 RPM
- Model 53210** 5,000 RPM



 Motor Tune-Up Kits will extend the life of an air tool when used as part of a preventative maintenance schedule. (See page 192.)



Trigger mechanism allows one-hand operation of drill.

Model Number	Motor hp (W)	Motor RPM	Sound Level	Maximum Air Flow SCFM (LPM)	Hose I.D. Size Inch (mm)	Air Inlet Thread	Spindle Thread	Weight Pound (kg)	Length Inch (mm)	Height Inch (mm)
53060	.7 (522)	3,400	84 dB(A)	33 (935)	3/8 (10)	1/4" NPT	1/2"-20 Male	3.2 (1.4)	8-7/8 (224)	6-3/8 (163)
53091	.7 (522)	950	82 dB(A)	33 (935)	3/8 (10)	1/4" NPT	1/2"-20 Male	3.9 (1.8)	10-1/2 (267)	6-3/8 (163)
53095	.7 (522)	4,500	85 dB(A)	33 (935)	3/8 (10)	1/4" NPT	1/2"-20 Male	3.2 (1.4)	8-7/8 (224)	6-3/8 (163)
53096	.7 (522)	20,000	88 dB(A)	33 (935)	3/8 (10)	1/4" NPT	3/8"-24 Male	2.4 (1.1)	7 (180)	6-3/8 (163)
53200	.4 (298)	3,200	86 dB(A)	24 (680)	1/4 (6)	1/4" NPT	3/8"-24 Male	3.2 (1.45)	10-1/2 (267)	10 (254)
53210	.4 (298)	5,000	86 dB(A)	24 (680)	1/4 (6)	1/4" NPT	3/8"-24 Male	3.2 (1.45)	10-1/2 (267)	10 (254)

Tune-Up Kits: 53060, 53091, 53095, 53096: No. 96047; 53200, 53210: No. 96174 (page 192) • Additional Specifications: Air Pressure 90 PSIG (6.2 Bar)



# Drills

## Air-Powered Drills, 1/2" Chuck

ABRASIVE  
CAPACITY

DRILL BITS  
& ACCESSORIES  
1/2" (13 mm) dia. maximum

Industrial-Quality Drills in a Variety of Configurations

### 7° Offset, .7 hp, Rear Exhaust

- Each model includes 1/2" drill chuck and key.
- Also includes removable side handle and safety-lock lever.

**Model 53080 3,400 RPM**

**Model 53081 4,500 RPM**



For best tool performance, use optional 95676 Coupler/Plug Assembly (see page 161).



Model 53080

### Pistol Grip, .7 hp, Rear Exhaust

**Model 53090 950 RPM**

- Includes 1/2" drill chuck and key.
- High-torque air motor; slow-speed startup trigger.
- Rubber insulated grip and removable side handle.



Model 53090

### Hole Saw Model Right Angle, 1 hp, Rear Exhaust

**Model 53143 850 RPM**

- Includes 1/2" drill chuck and key.
- High torque, governor-controlled air motor.
- Ideal for running optional diamond hole saws, to efficiently punch out holes in dashboard templates, and to create other openings.
- Side handle is reversible for left or right hand use.
- Safety-lock lever is included.



Model 53143

Accessory  
Sold Separately

Model Number	Motor hp (W)	Motor RPM	Sound Level	Maximum Air Flow SCFM (LPM)	Hose I.D. Size Inch (mm)	Air Inlet Thread	Spindle Thread	Weight Pound (kg)	Length Inch (mm)	Height Inch (mm)
53080	.7 (522)	3,400	82 dB(A)	46 (1,303)	3/8 (10)	1/4" NPT	1/2"-20 Male	4.9 (2.2)	10-3/4 (274)	7-3/4 (196)
53081	.7 (522)	4,500	82 dB(A)	46 (1,303)	3/8 (10)	1/4" NPT	1/2"-20 Male	4.9 (2.2)	10-3/4 (274)	7-3/4 (196)
53090	.7 (522)	950	84 dB(A)	33 (935)	3/8 (10)	1/4" NPT	1/2"-20 Male	4.8 (2.1)	10-1/2 (267)	6-3/8 (163)
53143	1 (744)	850	83 dB(A)	35 (991)	3/8 (10)	3/8" NPT	1/4"-20 Male	5.5 (2.5)	13-1/8 (333)	5-1/8 (130)

**Tune-Up Kits:** 53080, 53081 - No. 96234; 53090 - No. 96047; 53143 - No. 96532 (page 192) • Additional Specifications: Air Pressure 90 PSIG (6.2 Bar)



**FASTTRACK**

Accessories: Page 159

# Stockade Filer

## Air-Powered Reciprocating Filer

**ABRASIVE CAPACITY**  
**FILES**  
 1/4" (6 mm) dia. shank

Ideal for Countless Filing Applications

### Straight Line, .4 hp, Rear Exhaust

- Each model has 1/4" round file holder opening for accepting optional files with 1/4" diameter shank (see below).
- Tool includes safety-lock lever.
- Also includes built-in air flow regulator.

### Model 12200 3,400 Strokes/Minute

### Model 12201 3,400 Strokes/Minute

- Comes with 12197 File Adapter, for mounting Dynabrade files 6" in length.



12197

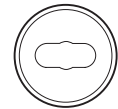


File Sold Separately



Model 12200

Model 12200



Round File Holder Opening:  
 6.3 mm center dia. x 13 mm width  
 (approx. 1/4" x 1/2")

### Stockade Filer Kit

#### Model 12202

- Kit includes 12201 Stockade Filer (with 12197 File Adapter), three files (90980, 90982, 90984) and 90977 Grit-File Abrasive Kit (see below).



12202 Kit

12201

12197

90980

90982

90984

### 90977 Grit-File Abrasive Kit



90977 Kit

- 40 abrasive strips (1/4" and 1/2" wide) which mount to spring-steel extenders, to reach areas as small as 1/8".
- 80 and 180 grit strips are included, with 4-1/2" and 6" long extenders.
- Sponge-base and cork-base Dynapad® platens, which mount to extenders to support abrasive strips.

### Dynabrade Files (6" Length) • Sold Separately

Part Number	Name	Shape	Shank	Cut
90980	Pillar		5/32" (4 mm) x 7/16" (11 mm)	"00" Very Coarse
90981	Half Round		5/32" (4 mm) x 7/16" (11 mm)	"00" Very Coarse
90982	Round		1/4" (6 mm) Dia.	"00" Very Coarse
90983	Triangular		5/32 (4 mm) x 1/2"	"00" Very Coarse
90984	Square		1/4" (6 mm) Dia.	"00" Very Coarse
90985	Pillar		5/32" (4 mm) x 7/16" (11 mm)	"0" Coarse
90986	Half Round		5/32" (4 mm) x 7/16" (11 mm)	"0" Coarse
90988	Triangular		5/32" (4 mm) x 1/2" (10 mm)	"0" Coarse
90989	Square		1/4" (6 mm) Dia.	"0" Coarse
90905	Foundry		1/4" (6 mm) Dia. to 1/8" (3 mm) Tapered	"00" Very Coarse

Model Number	Motor HP (W)	Sound Level	Maximum Air Flow SCFM (LPM)	Stroke Inch (mm)	Strokes per Minute	Hose I.D. Size Inch (mm)	Air Inlet Thread	Weight Pound (kg)	Length Inch (mm)	Height Inch (mm)
12200	.4 (298)	89 dB(A)	21 (595)	13/32 (10)	2,400	3/8 (10)	1/4" NPT	2.4 (1.1)	10- (254)	1-1/2 (38)
12201	.4 (298)	89 dB(A)	21 (595)	13/32 (10)	2,400	3/8 (10)	1/4" NPT	2.4 (1.1)	10- (254)	1-1/2 (38)

Tune Up Kit: No. 96261 (page 192) • Additional Specifications: Air Pressure 90 PSIG (6.2 Bar)



# Stockade Sander and Saw

## Air-Powered Reciprocating Sander and Saw

**ABRASIVE CAPACITY**  
**ABRASIVE STRIPS, SAW BLADES**  
 See below

Ideal for Countless Sanding and Sawing Applications

### Model 12204 Stockade Sander

- Has 5" long x 1/2" wide spring-steel extender which accepts stick-on coated abrasive strips (sold separately).
- 80 and 180 grit abrasive strips are included.
- Three platen pads are included, which may be mounted to the extender as a backing for the abrasive strip.
- Safety-lock lever is standard; rear exhaust.



### Model 12205 Stockade Saw

- Tool includes 12212 Saw Holder Adapter, 12183 Saw Guide, 90935 General Purpose Saw Blade.
- Built-in air flow regulator.
- Countless applications on wood, metal, composites, fiberglass and more.
- Safety-lock lever is standard; rear exhaust.



### Model 12206 Stockade Saw Kit

- 12205 Stockade Saw (above) and 90933 Saw Blade Pack, which includes one of each blade shown at right (six total).
- Saw Blades have a variety of uses on metal, fiberglass, wood and more.



### Dynabrade Saw Blades • Sold Separately

Part Number	Blade Type	Description	Shape
90934	Metal/Fiberglass Cutting	Silver • Long Life • Bi-Metal	
90935	Metal Cutting	White • Long Life • Bi-Metal	
90936	Metal Cutting	White • Long Life • Bi-Metal	
90937	Metal Cutting	White • Long Life • Bi-Metal	
90938	Metal Scroll Heavy Duty	White • Long Life • Bi-Metal	
90939	Wood Cutting/Stiff Back	White • Bi-Metal	

### Model 12207 Stockade Filer/Saw Kit

- 12205 Stockade Saw (see above).
- Three adapters: 12197 for Dynabrade 6" long files; 12211 for foundry file; 12212 for saw blades.
- 12183 Saw Guard Assembly (must be used with saw blades).
- Two 6" long files (90980 Pillar; 90983 Triangular).
- One 5-1/2" long foundry file (90905).
- Two saw blades (90934, 90935).



Model Number	Motor HP (W)	Sound Level	Maximum Air Flow SCFM (LPM)	Hose I.D. Size Inch (mm)	Air Inlet Thread	Strokes Inch (mm)	Strokes per Minute	Weight Pound (kg)	Length Inch (mm)	Height Inch (mm)
12204	.4 (298)	89 dB(A)	21 (595)	1/4 (6)	1/4" NPT	13/32 (10)	2,400	2.4 (1.1)	10 (254)	1-1/2 (38)
12205	.4 (298)	89 dB(A)	21 (595)	3/8 (10)	1/4" NPT	13/32 (10)	2,400	2.4 (1.1)	10 (254)	1-1/2 (38)

Tune-Up Kit: No. 96261 (page 192) • Additional Specifications: Air Pressure 90 PSIG (6.2 Bar)



# Dynadie® III

## Air-Powered Reciprocating Filer

**ABRASIVE CAPACITY**  
**SHANKED FILES**  
 1/8" (3 mm) and 1/4" (6 mm) diameters

Reciprocating Filer for Precise Filing and Finishing

### Model 12250 Variable-Length Stroke

- Accepts 1/4" dia. or 1/8" diameter shanked files. Files sold separately.
- Replaces tedious hand filing. Easily enters narrow slots.
- Use on metal, wood, plastic, fiberglass, etc.
- Variable-length stroke from 0-1/4". Tool runs at 5,000 strokes per minute.
- Barrel indexes 360° for ideal comfort.
- Tool includes 94407 Flow-Control Dynaswivel® (not shown).



Model Number	Motor hp (W)	Sound Level	Air Flow Rate SCFM (LPM)	Stroke Inch (mm)	Strokes Per Minute	Hose I.D. Size Inch (mm)	Air Inlet Thread	Weight Pound (kg)	Length Inch (mm)	Height Inch (mm)
12250	.2 (142)	77 dB(A)	18 (509)	0 - 1/4 (6)	5,000	3/8 (10)	1/4" NPT	1.8 (.82)	6-5/8 (170)	4-1/8 (106)

Tune-Up Kit: No. 96533 (page 192) • Additional Specifications: Air Pressure 90 PSIG (6.2 Bar)

### Files • 6" Length; 1/4" Dia. Shank

Part Number	Name	Shape	Shank	Cut
90982	Round	●	1/4" (6 mm) Dia.	"00" Very Coarse
90984	Square	■	1/4" (6 mm) Dia.	"00" Very Coarse
90989	Square	■	1/4" (6 mm) Dia.	"0" Coarse

### Swiss Pattern Files • 3-1/2" - 4" Lengths; 1/8" Dia. Shank

File/Cut	Equaling	Three Square	Half Square	Round	Crochet	Round
Straight File Medium Cut 1	90900	90910	90920	90930	90940	90950
Curved File Fine Cut 2	90901	90911	90921	90931	90941	90951

# Router

## Air-Powered Routing Tool

**ABRASIVE CAPACITY**  
**ROUTER BITS**  
 1/8" (3 mm) and 1/4" (6 mm) diameter shanks

Ideal for Countless Routing Applications

### Model 51330 20,000 RPM, .7 hp, Front Exhaust

- Ideal for chamfers and roundover cuts on hardwoods, softwoods, solid surfaces or plastics. Great for laminate trimming, surface planing, beveling and cornering.
- Tool accepts optional high-speed steel router bits with 1/4" diameter shank capacity. Also accepts optional 1/8" collet insert, for mounting 1/8" diameter router bits.
- Lightweight, non-marring composite fixed base allows for 90° cuts. Base offers easy height adjustment.
- Safety-lock lever is standard.
- Front exhaust directs chips away from cutter.
- Spindle lock allows one-wrench cutter changing.
- Includes guide rails, ideal for use on glue seams.



### Model 51331 Router Kit

- Includes 51330 Router with 93388 six-piece router bit set.

Model Number	Motor hp (W)	Motor RPM	Sound Level	Maximum Air Flow SCFM (LPM)	Hose I.D. Size Inch (mm)	Air Inlet Thread	Spindle Thread	Weight Pound (kg)	Base Size Inch (mm)	Height Inch (mm)
51330	.7 (522)	20,000	85 dB(A)	34 (963)	3/8 (10)	1/4" NPT	3/8"-24 Male	2.5 (1.1)	3-1/4 (83) x 3-1/2 (89)	8-1/4 (210)

Tune-Up Kit: 96529 (page 192) • Additional Specifications: Air Pressure 90 PSIG (6.2 Bar) • Collet Depth 1-5/8" (41 mm) • Max. Cutter Dia. 1-1/8" (29 mm)



# Dynascalers

## Air-Powered Descaling and Surface Preparation Tool

ABRASIVE  
CAPACITY

3M ROTO PEEN®  
"Bonded Shot"  
Flap Assemblies

### For Heavy-Duty Industrial, Marine, Construction Applications

- All models use optional 3M Roto Peen® "bonded shot" flap assemblies.
- Ideal for removing rust, oxide, scale, old paint and tough coatings from most surfaces.

#### Hand-Held Models

- Steel dowel pin (keepers) system allows easy flap loading and unloading.
- Four-position top handle adjusts for operator comfort.

#### Model 30304 *Straight Line*

- For 2" wide work on inside of pipe.
- Six-slot hub (2-1/4" wide) accepts optional 3M Roto Peen®. Adjustable for exact positioning of Roto Peen® to surface.

#### Model 30336 *Straight Line*

#### Model 30337 *Right Angle*

- Each model is for 2" wide work on flat surfaces.
- Ideal for removal of floor paint/coatings and for scarifying concrete.
- Vacuum port accepts 1-1/2" diameter cuff.

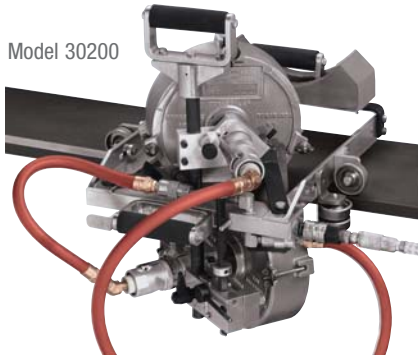


Model 30304



Model 30336

Model 30200



#### Over-Under Model

#### Model 30200 *1" Wide Top and Bottom*

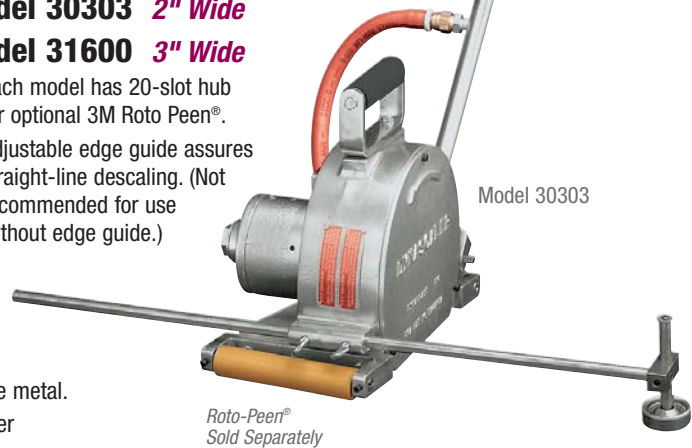
- Mechanically fractures scale and coatings, with negligible removal of base metal.
- "Over-under" simultaneous removal of scale, from top and bottom of girder webplates prior to welding.
- Top and bottom unit each use optional 1" wide 3M Roto Peen® "bonded shot" flap assemblies. Top unit easily detaches to permit portable "touch up" descaling.

#### Floor Models

#### Model 30303 *2" Wide*

#### Model 31600 *3" Wide*

- Each model has 20-slot hub for optional 3M Roto Peen®.
- Adjustable edge guide assures straight-line descaling. (Not recommended for use without edge guide.)



Model 30303

Roto-Peen®  
Sold Separately

Roto-Peen is registered trademark of 3M Company.

Model Number	Motor hp (W)	Motor RPM	Sound Level	Maximum Air Flow SCFM (LPM)	Hose I.D. Size Inch (mm)	Air Inlet Thread	Spindle Thread	Weight Pound (kg)	Length Inch (mm)	Height Inch (mm)
30303	1.7 (1,268)	1,650	94 dB(A)	78 (2,209)	1/2 (13)	3/8" NPT	—	44.2 (20)	8-3/4 (222)	11 (279)
31600	.4 (2,983)	1,650	94 dB(A)	127 (3,597)	1/2 (13)	3/8" NPT	—	54 (24.5)	8-3/4 (222)	11 (279)
30200	.7 (522)	2,100	94 dB(A)	38 (1,076)	1/2 (13)	3/8" NPT	—	33.2 (15)	14 (355)	10-3/4 (273)
30304	.7 (522)	2,400	94 dB(A)	38 (1,076)	1/2 (13)	3/8" NPT	1/2"-20 Male	6.2 (2.8)	11-3/4 (298)	8-1/4 (210)
30336	.7 (522)	2,400	94 dB(A)	38 (1,076)	1/2 (13)	3/8" NPT	1/2"-20 Male	6.5 (2.9)	11-3/4 (298)	8-1/4 (210)
30337	.7 (522)	1,950	94 dB(A)	38 (1,076)	1/2 (13)	3/8" NPT	1/2"-20 Male	6.5 (2.9)	11-3/4 (298)	8-1/4 (210)

Additional Specifications: Air Pressure 90 PSIG (6.2 Bar)

